

# THERMALINE

## BeerCalc

### Hot Liquor Heat Exchanger (shell and tube)

These specifications were provided through Thermaline's sizing calculators on May 2nd, 2026.

**Unit part number:**

HYGX-408-2-54-44-01

**Unit description:**

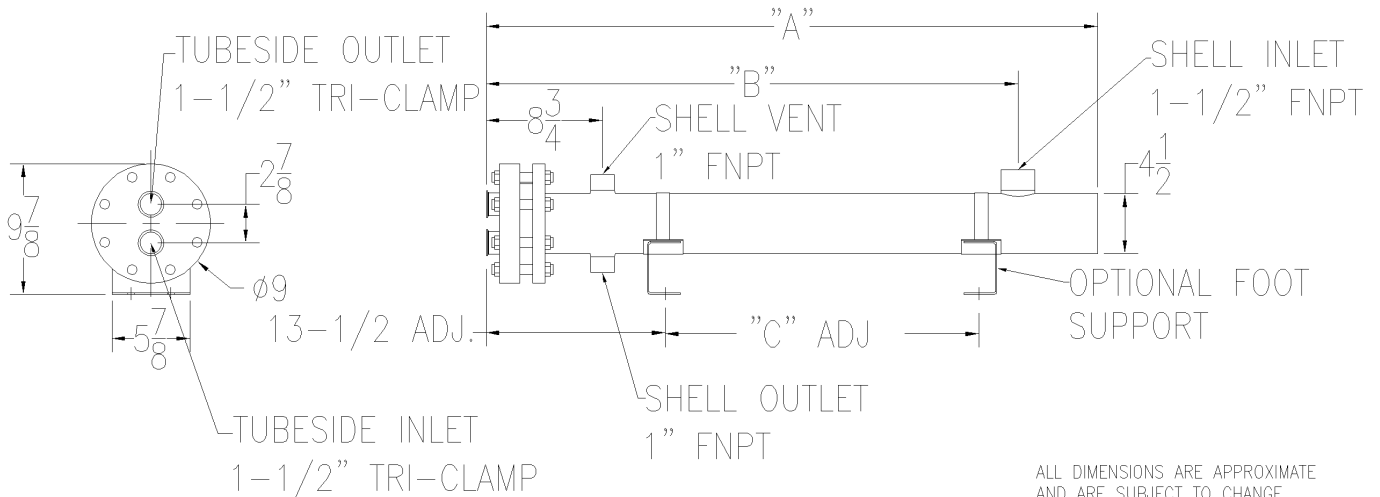
Thermaline Shell & Tube model HYGX-408-2-54-44-01 ASME Sec. 8 Div. 1 Shell and tube heat exchanger. 304 SS shell/304 SS tube bundle. Polished with water-side tri-clamp connections.

#### Specifications

<b>Brew size</b>	30 bbls
<b>Heat up time</b>	3 hours
<b>Min. recirc. rate</b>	15 GPM
<b>Max. BTU/hr</b>	360,000 BTU/hr
<b>Steam pressure</b>	10 psi
<b>Temperature in</b>	50°F
<b>Temperature out</b>	190°F



Standard hot liquor heat exchanger setup



**Dimensions: A: 64.0"; B: 58.0"; C: 41.5**

Plates are constructed of 304SS unless specified otherwise.

Prices quoted do not include freight or shipping. Any Federal, State, or Local Taxes and Import, Export or Foreign Duties are the responsibility of the Buyer. We reserve the right to add a service charge to overdue accounts. [Thermaline Terms & Conditions](#).

 Proudly manufactured in the U.S.A. by Thermaline • Auburn, WA • [Thermaline.com](https://www.thermaline.com) 