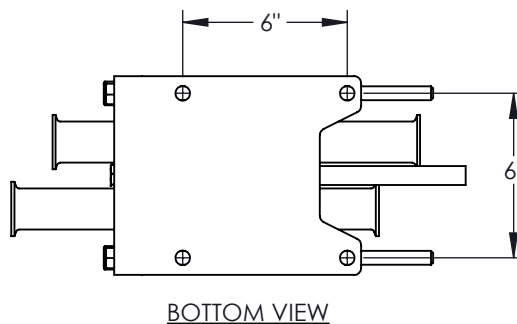
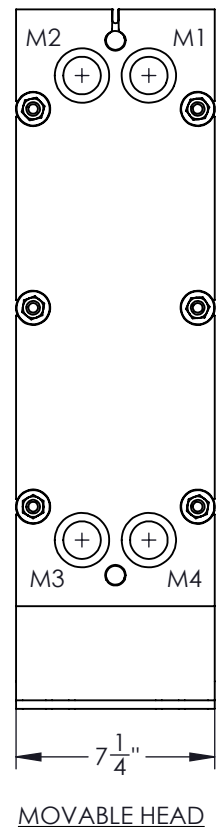
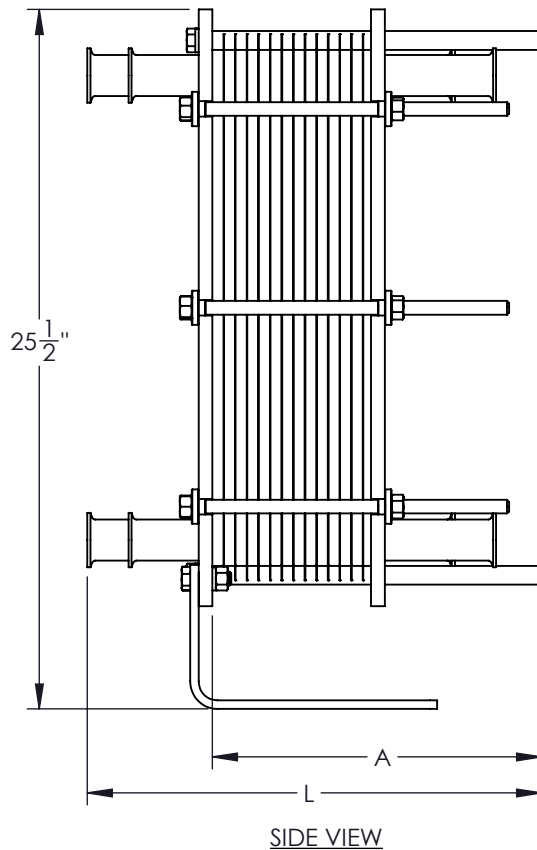
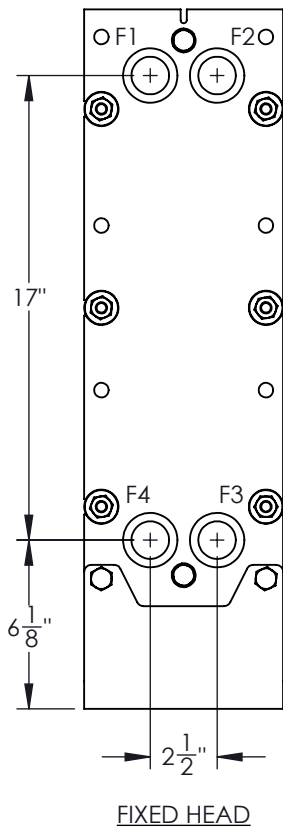


## MODEL T4 U

The model T4 U is a universal mounting small capacity plate heat exchanger. It is available in multiple frame sizes using either carbon steel or stainless steel. It can accommodate flow rates up to 40 gallons per minute. Plate gaskets are FDA approved EPDM or NBR clip style.

(Other materials are available upon request)



### SPECIFICATIONS:

FRAME SIZE "A"	PLATE CAPACITY	L
12"	41	16-1/2"
16"	61	20-1/2"
20"	81	24-1/2"

HEAT TRANSFER AREA PER PLATE .46 SQ. FEET

FIXED/MOVABLE HEAD PORT CONNECTIONS 1-1/2" CLAMP (STANDARD)

INTERMEDIATE PORT CONNECTION 1" CLAMP (STANDARD)

FRAME DESIGN 150 PSI (STANDARD) TESTED @ 200 PSIG

300° F MAX OPERATION TEMPERATURE DEPENDING ON GASKET MATERIAL

ALL DIMENSIONS ARE APPROXIMATE AND SUBJECT TO CHANGE