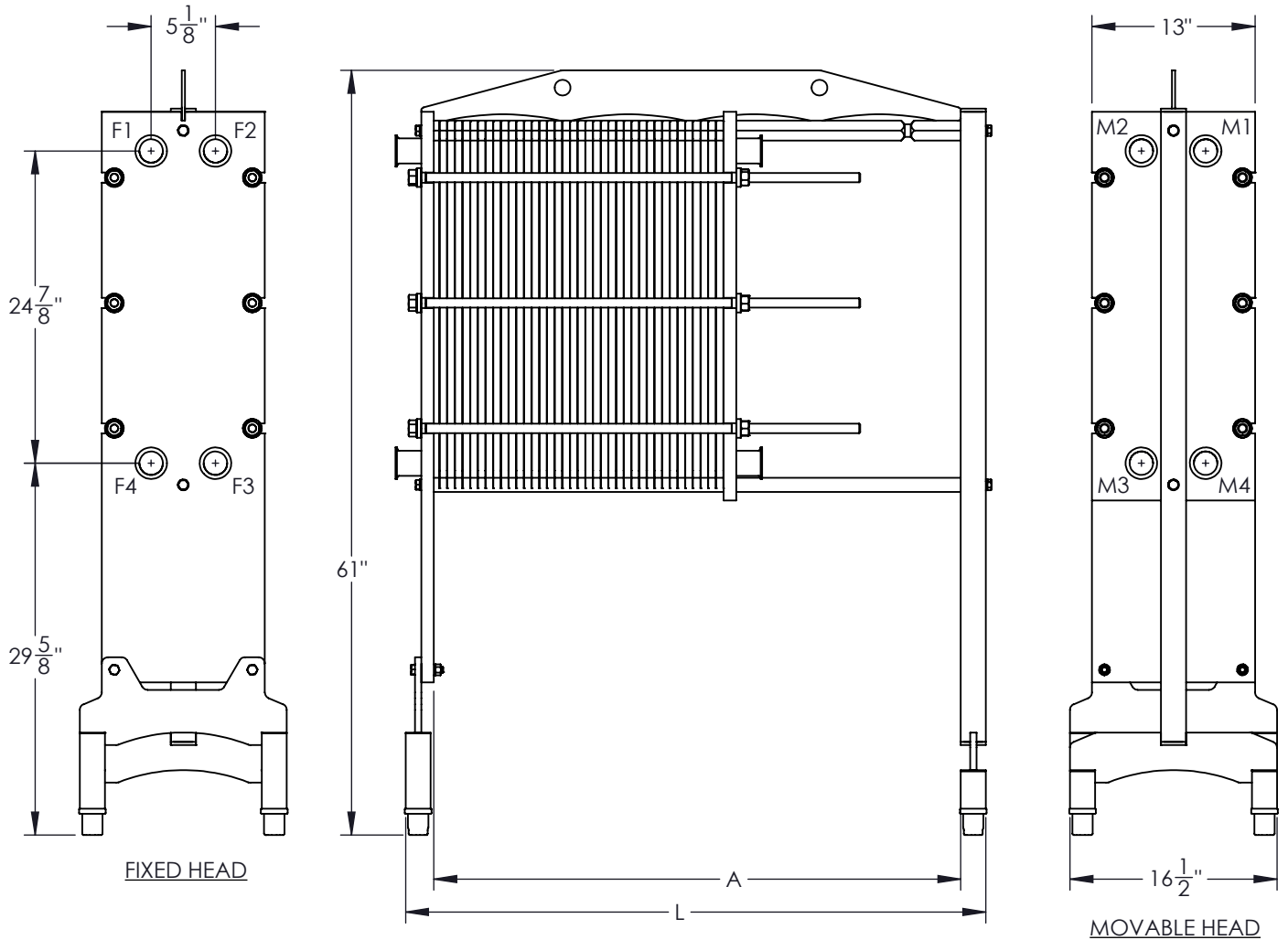


## MODEL T13 E

The model T13 E is a freestanding medium capacity plate heat exchanger designed for increased height to accommodate HTST duty. It is available in multiple frame sizes using either carbon steel or stainless steel and sanitary adjustable feet. It can accommodate flow rates up to 150 gallons per minute. Plate gaskets are FDA approved EPDM or NBR clip style.

(Other materials are available upon request)



### SPECIFICATIONS:

FRAME SIZE "A"	PLATE CAPACITY	L
42"	151	46-1/4"
48"	171	52-1/4"
60"	221	64-1/4"

HEAT TRANSFER AREA PER PLATE 1.40 SQ. FEET
FIXED/MOVABLE HEAD PORT CONNECTIONS 2" CLAMP (STANDARD)
INTERMEDIATE PORT CONNECTION 2" CLAMP (STANDARD)
FRAME DESIGN 150 PSI (STANDARD) TESTED @ 200 PSIG
300° F MAX OPERATION TEMPERATURE DEPENDING ON GASKET MATERIAL

ALL DIMENSIONS ARE APPROXIMATE AND SUBJECT TO CHANGE